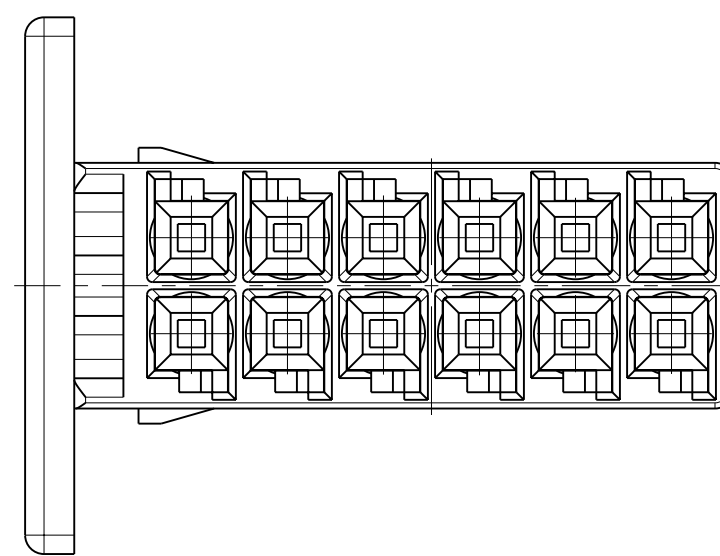
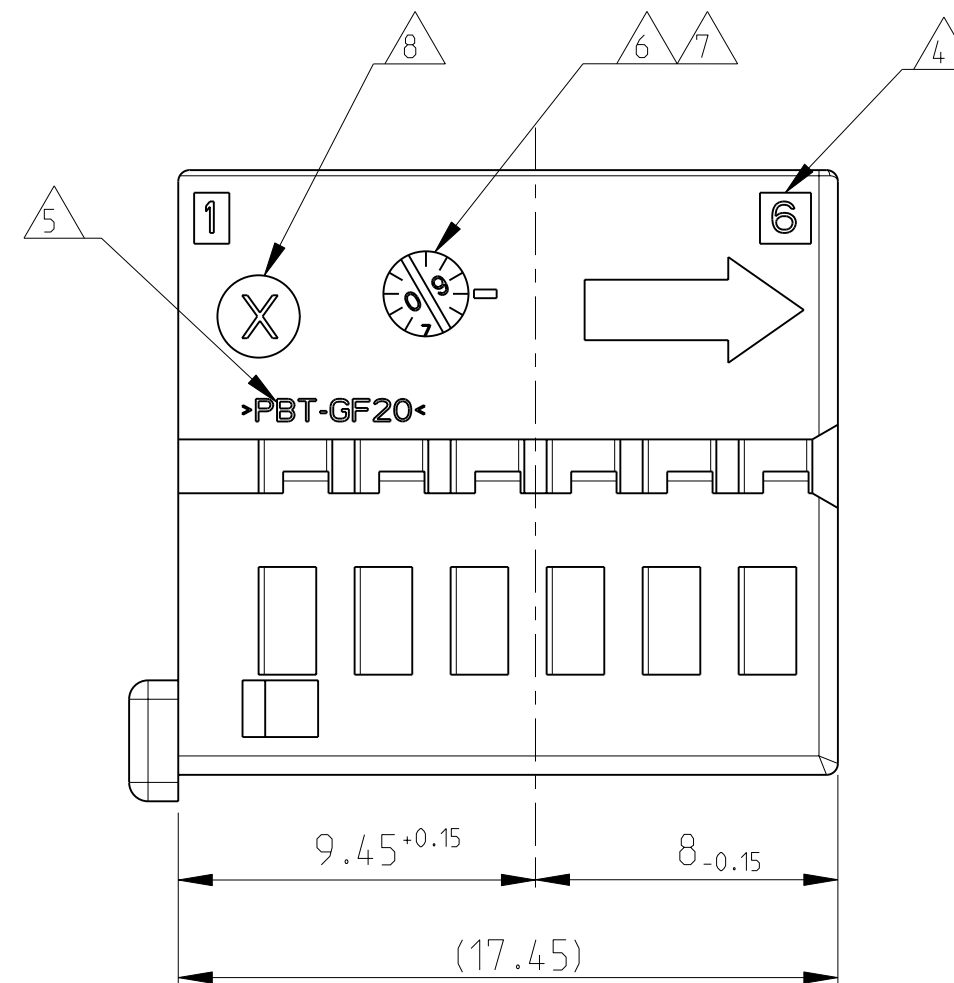
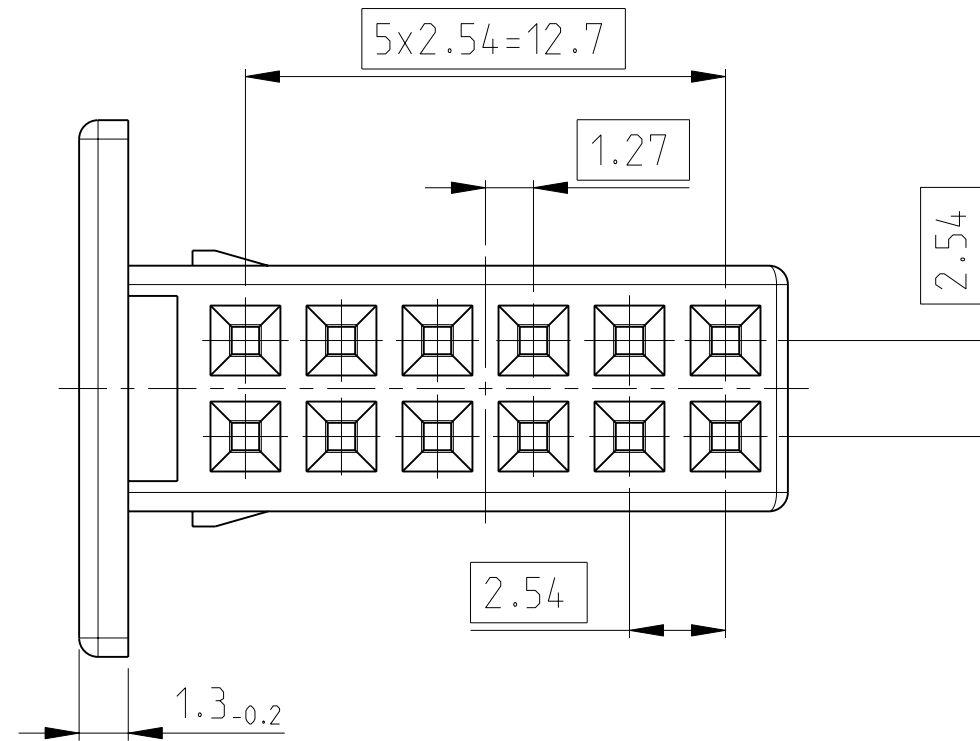
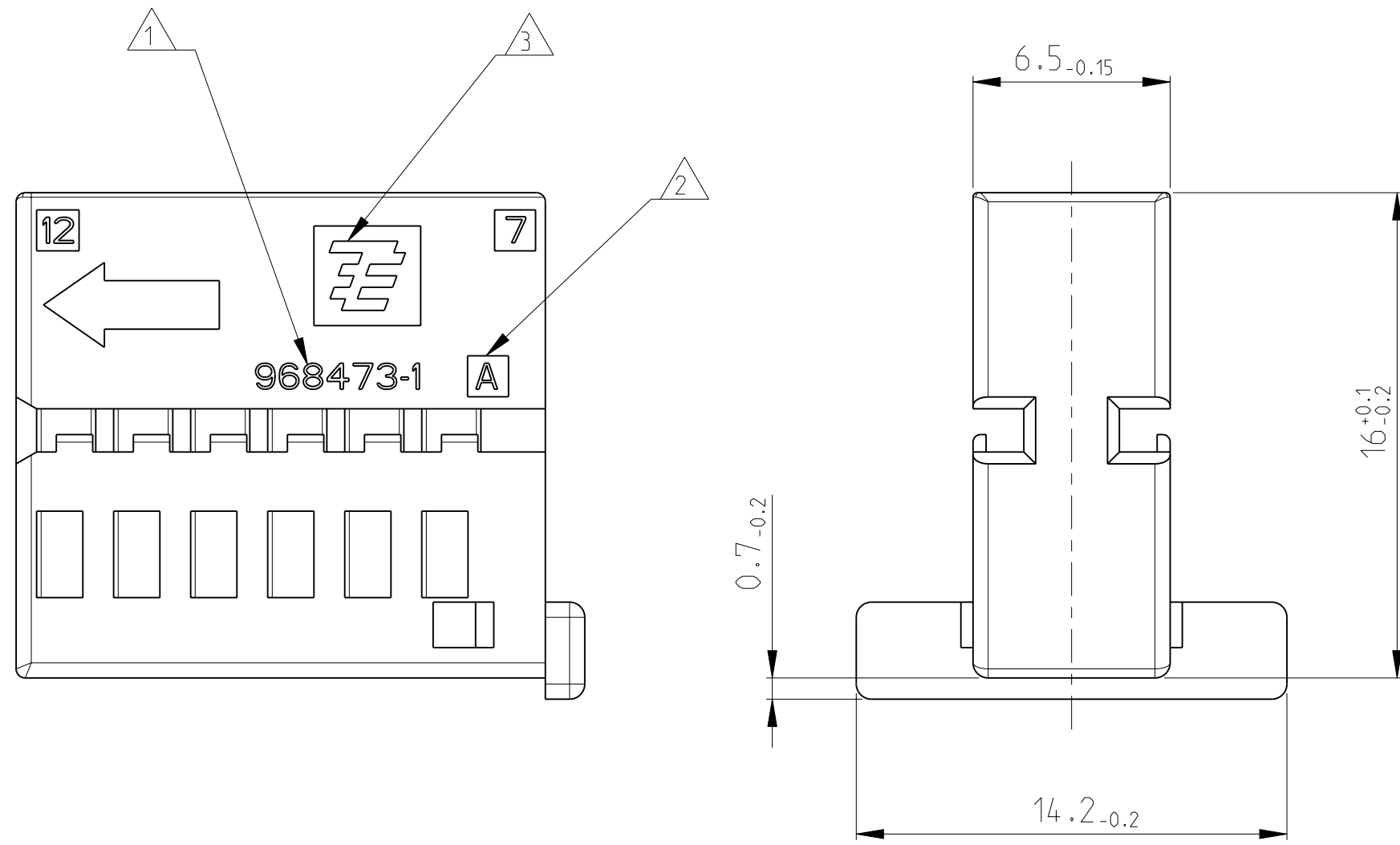


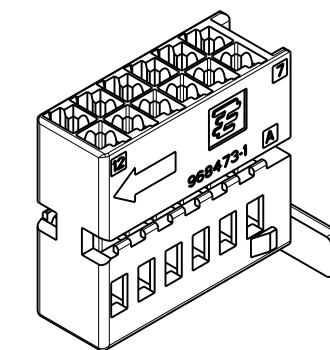
THIS DRAWING IS UNPUBLISHED. RELEASED FOR PUBLICATION 2009
 © COPYRIGHT 2009 BY TYCO ELECTRONICS CORPORATION. ALL RIGHTS RESERVED.

LOC	DIST	REVISIONS					
		P	LTR	DESCRIPTION	DATE	DWN	APVD
A1	-	A4		SEE E-09-013247	20MAY2009	FU	MR



- NOTES
BEMERKUNGEN
- NV NOTE NOT VALID
Bemerkung nicht verwendet
 - 1 ORDER NUMBER
BESTELL-NUMMER
 - 2 REVISION NUMBER
WERKZEUGÄNDERUNGSINDEX
 - 3 TE LOGO
 - 4 CONTACT CAVITY NUMBER
KONTAKTKAMMERNUMMER
 - 5 MATERIAL MARKING
WERKSTOFFKENNZEICHNUNG
 - 6 PRODUCTION DATE
PRODUKTIONSdatum
 - 7 PRE-SERIES PART WITH CONDITIONAL RELEASE
MARKED WITH CONDITIONING CLOCK
INSTEAD OF DATE CLOCK
VORSERIEANTEIL MIT BEDINGTER FREIGABE
MARKIERT MIT ÄNDERUNGSUHR
ANSTELLE DER DATUMSUHR
 - 8 TOOL CAVITY MARKING
NESTMARKIERUNG
 - 9 PACKAGING: BULK MATERIAL IN CARDBOARD BOX
VERPACKUNG: SCHUETTGUT IN KARTON
 - NV PACKAGING: LAYERS IN CARDBOARD BOX
VERPACKUNG: LAGENWEISE IN KARTON

12POS. CONNECTOR CONTAINS :
 12 pol. Steckverbinder besteht aus :
 967646-x 12POS. PINHEADER / 12pol. Stiftleiste
 929051-1 COVER WITH LEVER / Abdeckkappe mit Hebel
 968473-1 12POS. MQS HOUSING / 12pol. MQS-Gehaeuse



2:1

-	8	968473	A	12POS. SOCKET HOUSING	PBT-GF20	BLACK / schwarz	1.2	1
CUSTOMER PART NO	CAVITY NUMBER POLZAHL	TE ORDER NO TE BESTELLNUMMER	REV	DESCRIPTION NAME	MATERIAL	SURFACE COLOR	WEIGHT GEWICHT [g]	ITEM NO

0-0963715-1	0-0963729-1	0.75	CuNiSi	PRETINNED
0-0928999-1	0-0963726-1	0.2-0.5	CuNiSi	PRETINNED
TE ORDER NO STRIP FORM	TE ORDER NO LOOSE PIECE	WIRE RANGE MM ²	MATERIAL	FINISH

RECOMMENDED CONTACT SYSTEM: MQS; UNSEALED

THIS DRAWING IS A CONTROLLED DOCUMENT FOR TYCO ELECTRONICS CORPORATION IT IS SUBJECT TO CHANGE AND THE CONTROLLING ENGINEERING ORGANIZATION SHOULD BE CONTACTED FOR THE LATEST REVISION.		DWN E. Ulrich 20MAY2009 CHK R. Reinhardt 03JUN2009 APVD -	Tyco Electronics Tyco Electronics AMP GmbH 64625 Bensheim (Germany)
DIMENSIONS: mm	TOLERANCES UNLESS OTHERWISE SPECIFIED: 1 PLC ±0.3 2 P/C ±- 3 P/C ±- 4 P/C ±- ANGLES ±2° FINISH -	PRODUCT SPEC 108-185466-0 APPLICATION SPEC 114-18173-0 WEIGHT 1.2g	NAME 12POS. SOCKET HOUSING FOR MQS 12pol. Buchsengehaeuse fuer MQS SIZE A2 CAGE CODE 00779 DRAWING NO 968473 RESTRICTED TO -
MATERIAL -		CUSTOMER DRAWING	SCALE 5:1 SHEET 1 OF 1 REV A4